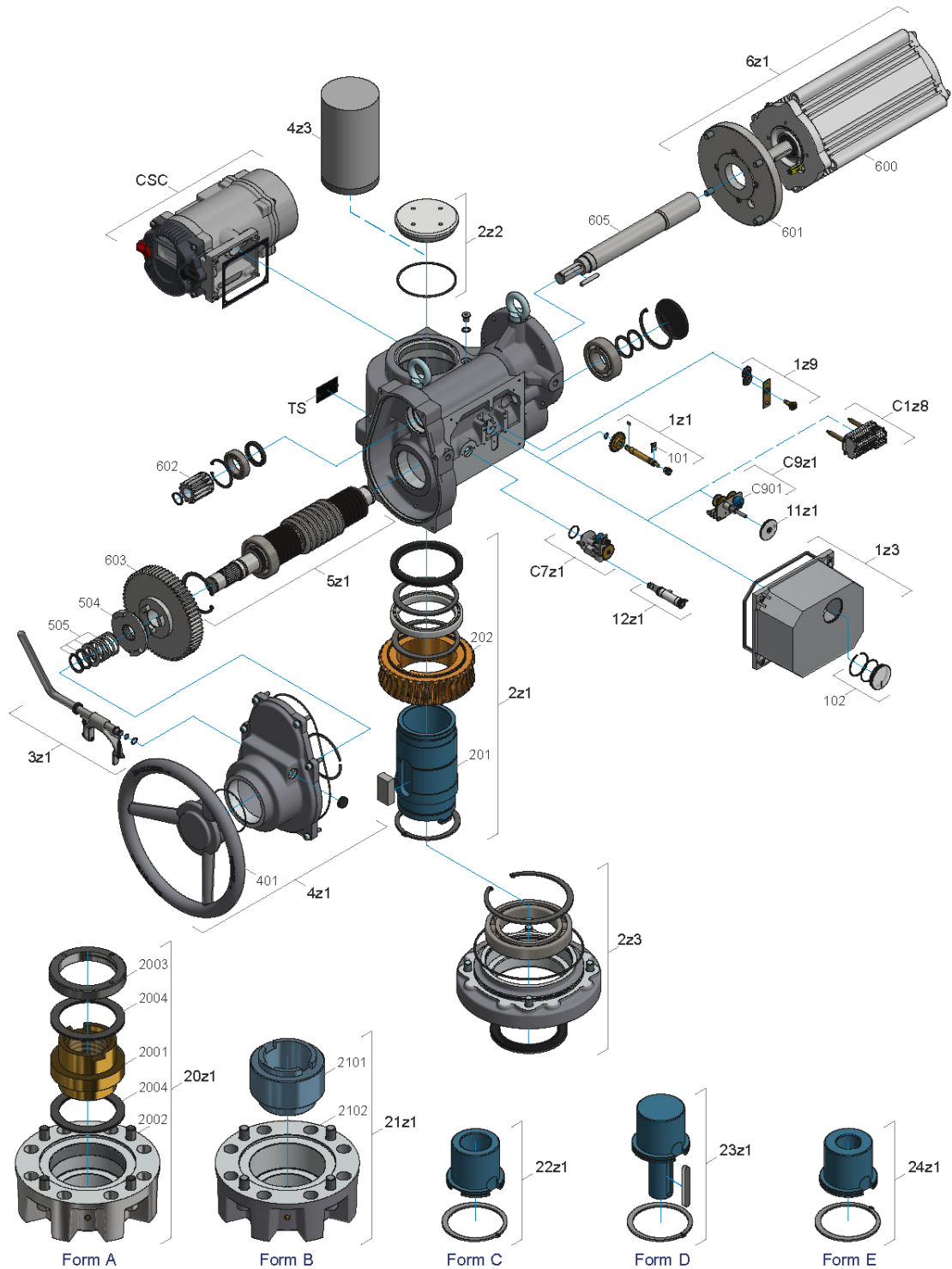


(ex)(r)AB200 explosion drawing and spare parts list



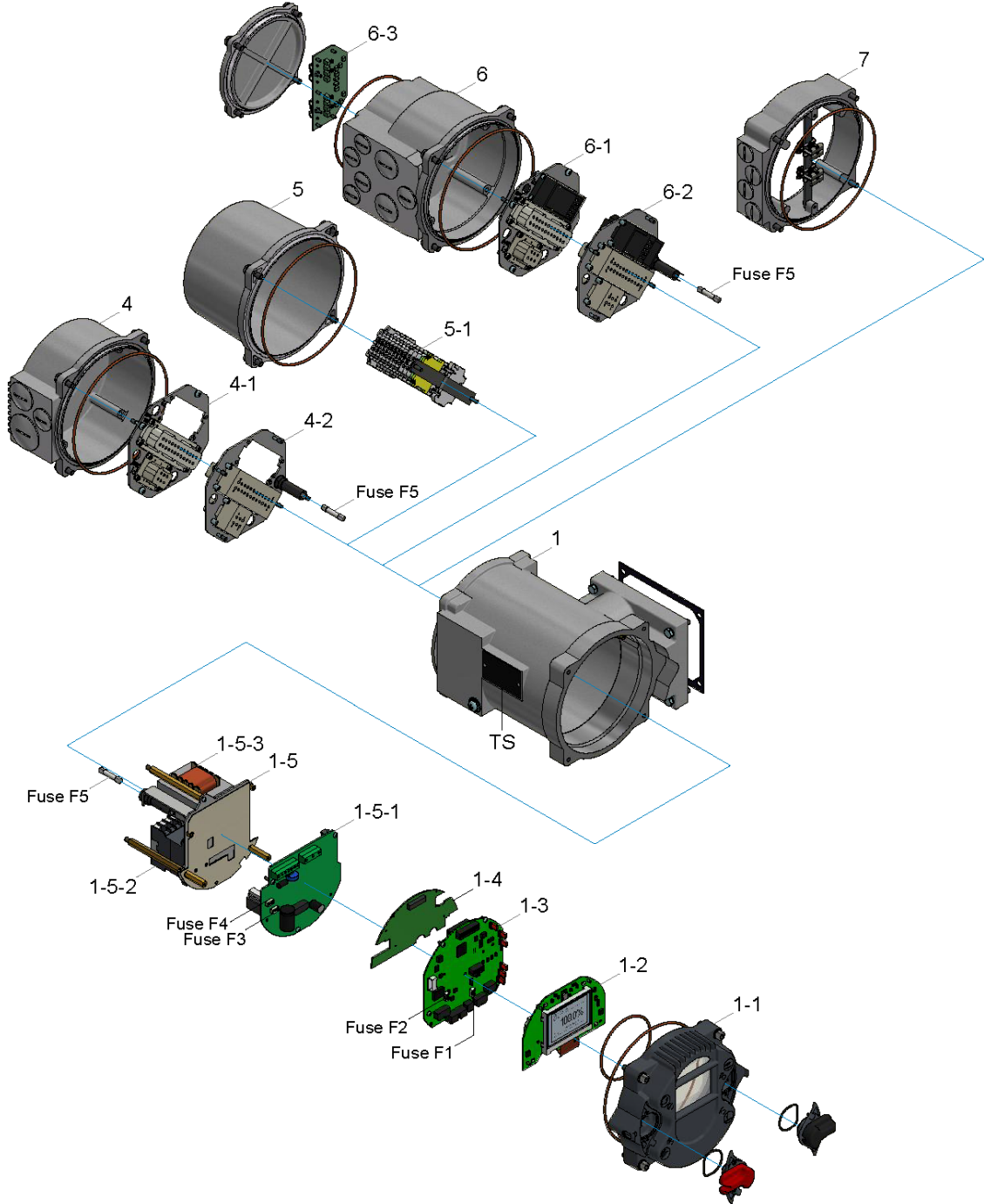


CAUTION: When ordering spare parts, you **must** provide the **serial number** (see type shield).
 Use only original spare parts supplied by SCHIEBEL. Using other parts will render the warranty void.
 Illustrations may differ from actual spare parts.

Asm.	No.	Description
1z1		Signaling unit
	101	Pinion gear bracket
1z3		Signalling unit cover with sight glass
	102	Sight glass
C1z8		Terminal Block CSC EX
1z9		Signaling unit gearbox
2z1		Output shaft
	201	Output shaft
	202	Worm gear
2z2		SpA cover
2z3		Output flange
3z1		Manual lever
4z1		Handwheel assembly
	401	Handwheel
4z3		Spindle cover
5z1		Worm shaft
	504	Coupling ring
	505	Spring assembly
6z1		Entire motor
	600	Motor
	601	Motor flange
	602	Motor pinion
	603	Plastic gearwheel
	605	Intermediate shaft motor
C7z1		Torque unit
C9z1		Teletransmission gear
	C901	Potentiometer 1000Ω
11z1		Mechanical position indicator
12z1		Heater
TS		Type plate
CSC		Smartcon control unit (see page 3)

Asm.	No.	Description
20z1		Output form "A" F25 assembly
	2001	Threaded spindle nut
	2002	Flange "A"
	2003	Ring nut
	2004	Bearing assembly
21z1		Output form "B" F25 assembly
	2101	Std "B" socket
	2102	Flange "B"
22z1		Output form "C" F25 assembly
23z1		Std output form "D" F25 assembly
24z1		Std output form "E" F25 assembly

CSC explosion drawing and spare parts list



CAUTION: When ordering spare parts, you **must** provide the **serial number** (see type shield).
 Use only original spare parts supplied by SCHIEBEL. Using other parts will render the warranty void.
 Illustrations may differ from actual spare parts.



No.	Description
1-1	Enclosure
1-1	Control unit cover
1-2	Display board
1-3	Logic board
Fuse-F1	Micro fuse 1A
Fuse-F2	Micro fuse 4A
1-4	Expansion board (bus, relay)
1-5	Supply unit assembly
1-5-1	Base A board
Fuse-F3	Micro fuse 1A
Fuse-F4	Micro fuse 500mA
1-5-2	Reversing contactor
1-5-3	Transformer 230-500V
Fuse-F5	Fuse 125mA T
4	Plug cover
4-1	Connector's panel customer side (socket)
4-2	Connector's panel actuator side (pins) 400V
5	Terminal box cover
5-1	Terminal block cover
6	Entire bus plug cover with connectors and circuit board
6-1	Bus connector's panel customer side (socket)
6-2	Bus connector's panel actuator side (pins) 400V
6-3	Bus connection board
7	Additional ring Bus (Ex)
TS	Type plate